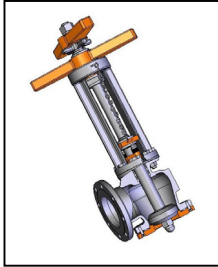
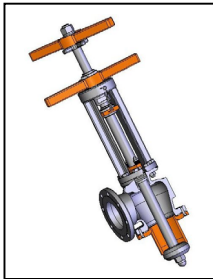


## SchuF Valve types for Alumina Service

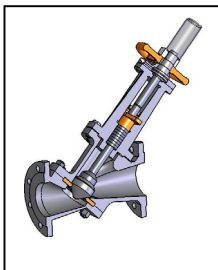
The \*\*AS is a slurry valve specifically designed for Alumina service and applications where erosion and scaling are present. To help clean and grind seats these valves are provided with a disc turning device.



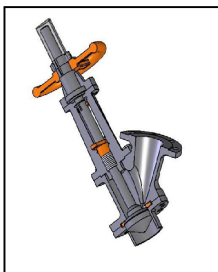
Angle valve 18AS



Bayonet Angle valve 19 AS



Y-globe valve 50AS



Tank Bottom valve 16/ 17AS

### Features

- Valves are designed to ASME B16.34
- Nominal diameters from DN 50 up to DN900 (2" to 36")
- Pressure ratings from PN 10 up to PN 100 (ASME 150 to ASME 600)
- Flange connections according to DIN EN 1092, ASME B16.5
- Tested according to API 598
- Valve body wall oversized to maintain integrity in the event of possible erosion or abrasion
- Reinforce pad around the valve body up to 180° to allow the option of added flushing nozzles
- Enlarged stem diameter to increase durability
- Stem protection or stem hard facing available
- Sealing surfaces of disc and seat stellite
- The grinding device can be used while the valve is installed. This ensures:
  - easy handling; the grinding device can be used by field operators
  - no down time
- Internal linings to avoid erosion, abrasion or corrosion available
- Packing area specifically designed for Alumina service with T-headed screws for stuffing box connection to allow easy change of valve packing
- Yoke-actuator connection standardised for different actuator types
- Optional: tapered seat design
- Manufactured under quality system ISO 9001

### Valve actuation

All valves can be delivered with grinding device

- manual actuated with handle, spur gear or bevel gearbox
- electric, pneumatic or hydraulic actuation available

### Materials

Body yoke, yoke and stuffing box material: ASTM 216 Grade WCB

Stem: 1.4021 (AISI420) or equivalent

Stem for high pressure valves: 1.4542 (AISI 630) or equivalent

Disc and seat: Carbon steel, sealing surfaces stellite

Disc and seat for high pressure valves:

1.0487 (ASTM A 516 Grade 60)

Gasket: Spiral wound

Packing: Graphite

Options: internal linings, stem protection

### Inspection & Testing

**Testing:** API 598

**Dye Penetrant:** ASME B16.34

**Magnetic Particle:** ASME B16.34

**Radiography:** ASME B16.34

**Marking:** MSS SP25

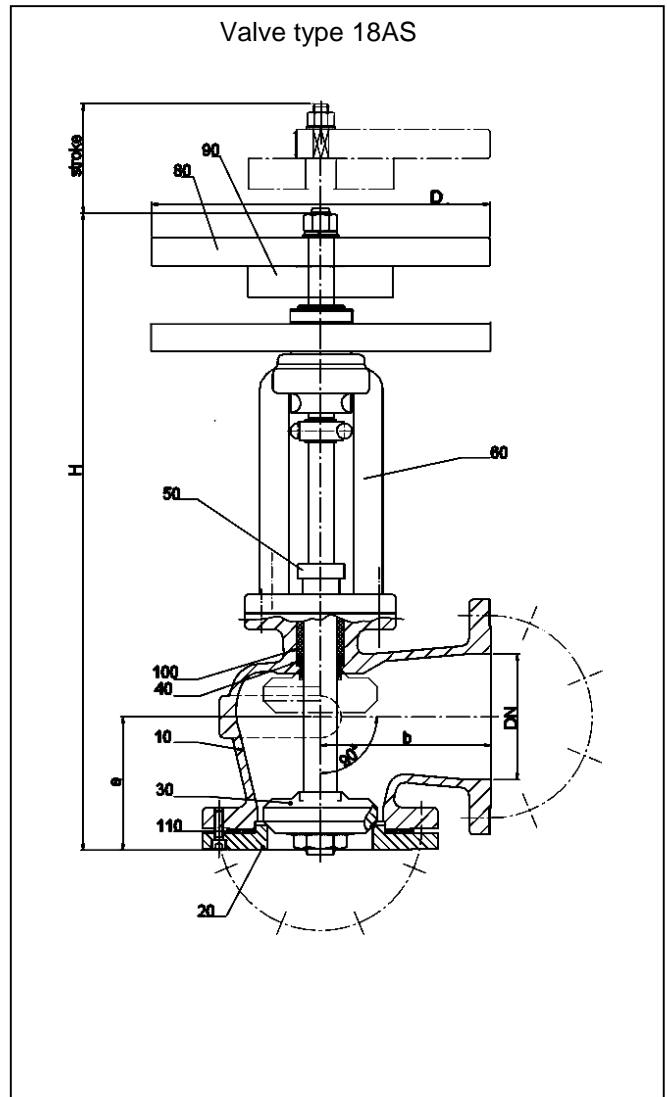
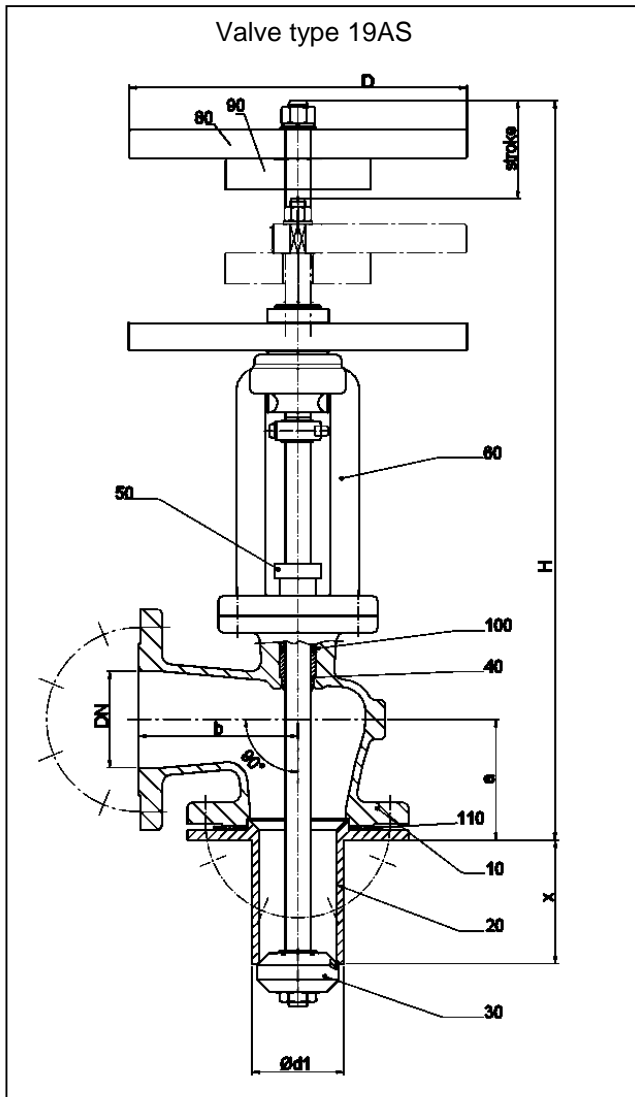
**Documentation:** Valve body: 3.1 cert

Trim material: 2.2 cert as per EN 10204



# SchuF Valves for Alumina 16AS-19AS, 50AS

Angle bayonet valve 19AS/ angle valve 18AS, ASME 150



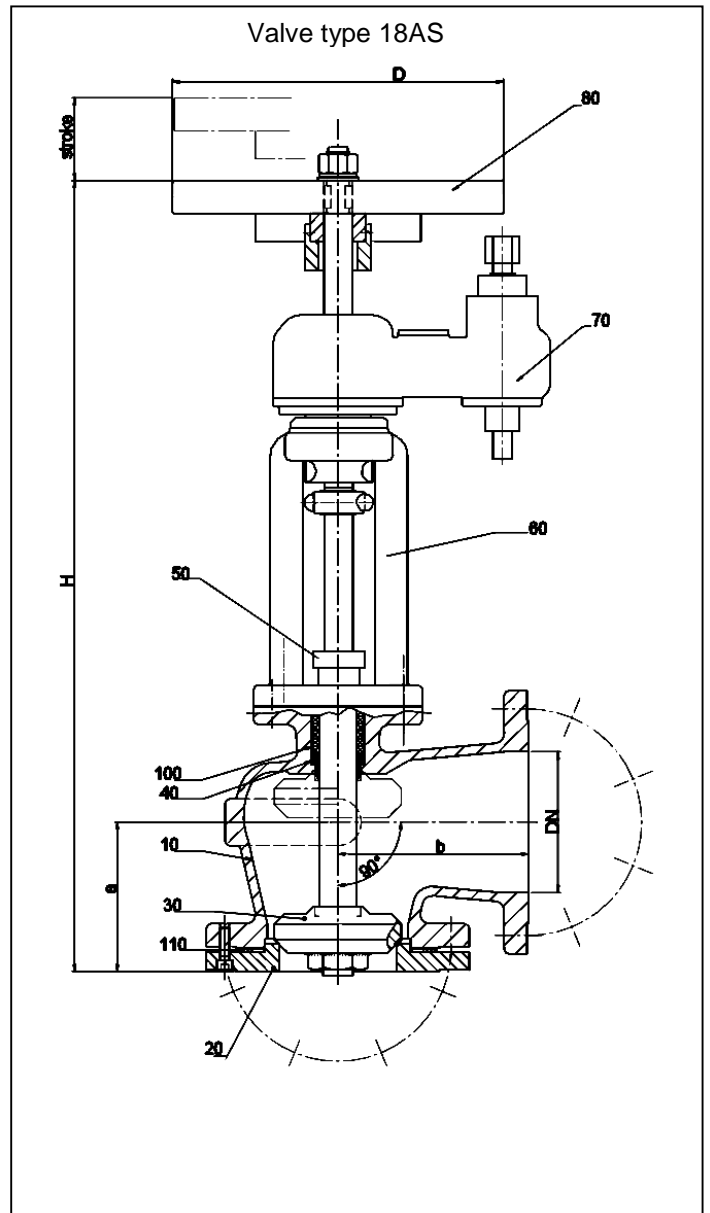
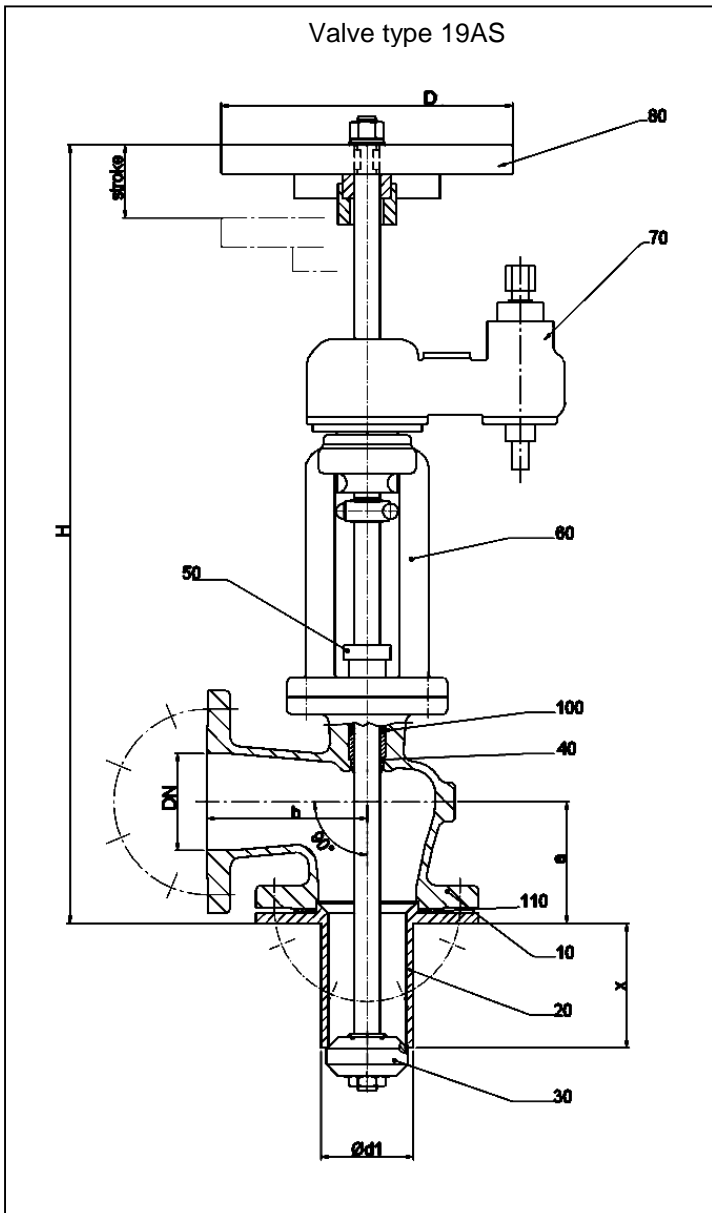
Position	Description
10	Body
20	Seat
30	Disc with Stem
40	Guide Ring
50	Stuffing Box Gland
60	Yoke
80	Handles
90	Jam Nut
100	Packing Ring

Sizes	a	b	H		D	x	Ø d1	Stroke	
			bayonet valve	angle valve				bayonet valve	angle valve
2"	60	114	530	530	200	90	45	35	50
3"	79	140	700	610	320	102	70	50	70
4"	125	165	740	660	320	102	95	75	110
6"	159	203	1100	970	500	114	146	120	137
8"	197	248	1190	1040	500	114	195	150	193
10"	241	292	1350	1105	500	114	248	180	250



# SchuF Valves for Alumina 16AS-19AS, 50AS

Angle bayonet valve 19AS/ angle valve 18AS, ASME 150



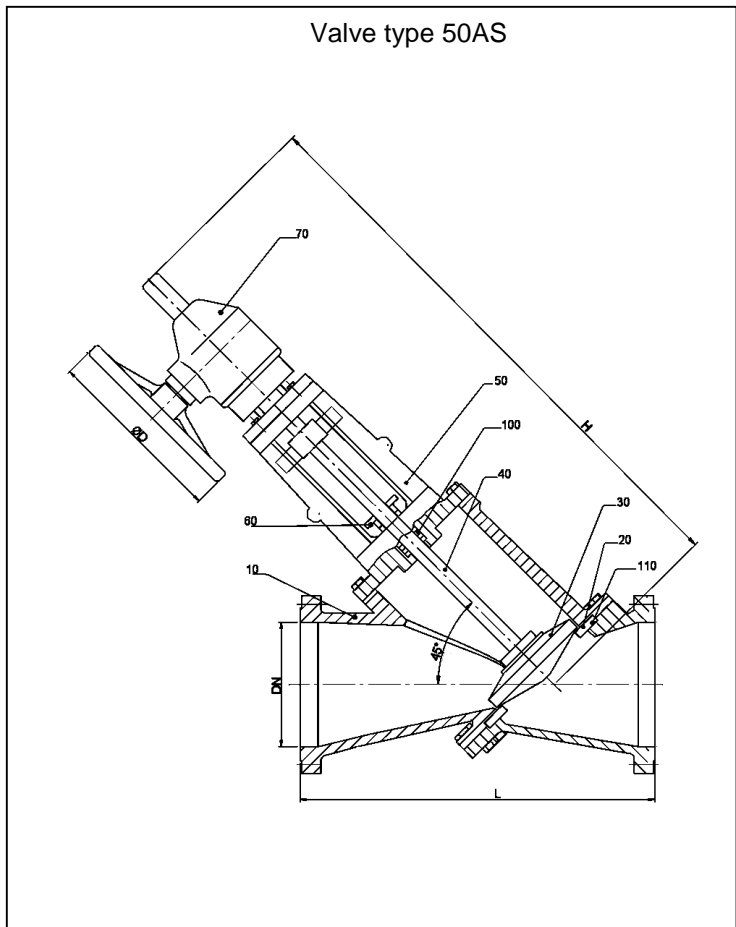
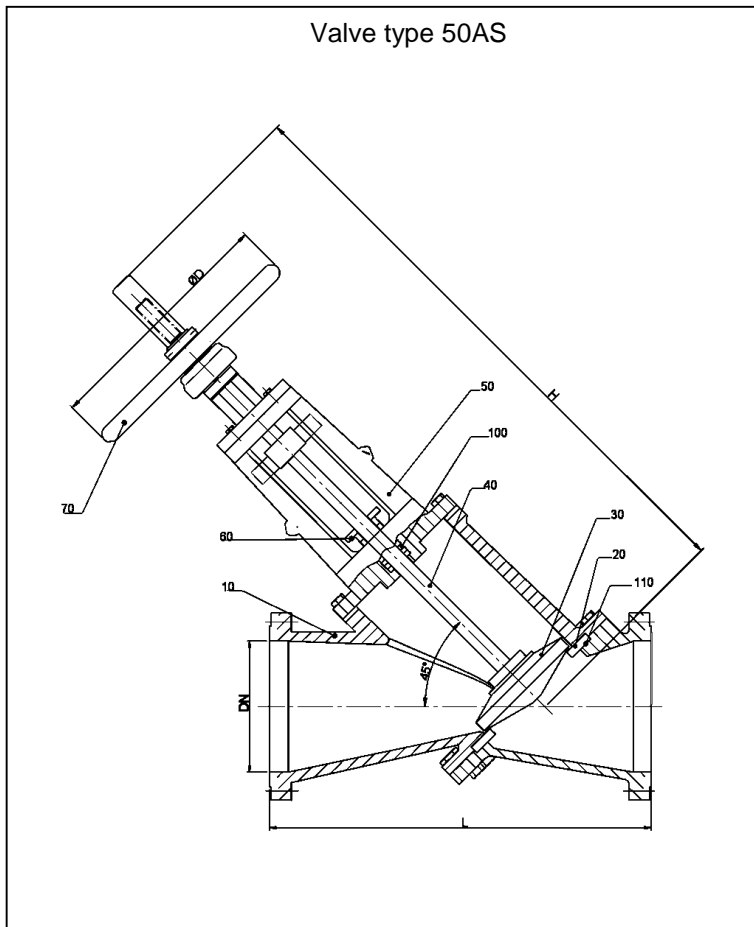
Position	Description
10	Body
20	Seat
30	Disc with Stem
40	Guide Ring
50	Stuffing Box Gland
60	Yoke
70	Spur gear box
80	Handle
100	Packing Ring

Sizes	a	b	H bayonet valve	H angle valve	D	x	Ø d1	Stroke	Stroke
								bayonet valve	angle valve
12"	276	349	1800	1560	600	To be specified	299	240	260
14"	305	368	1910	1620	600		324	290	290
16"	340	381	1970	1680	600		375	290	320
18"	356	406	2100	1850	600		425	290	380
20"	394	457	2200	1950	600		476	315	430
24"	451	508	2350	2100	600		578	370	520



# SchuF Valves for Alumina 16AS-19AS, 50AS

Y-globe valve 50AS, ASME 150



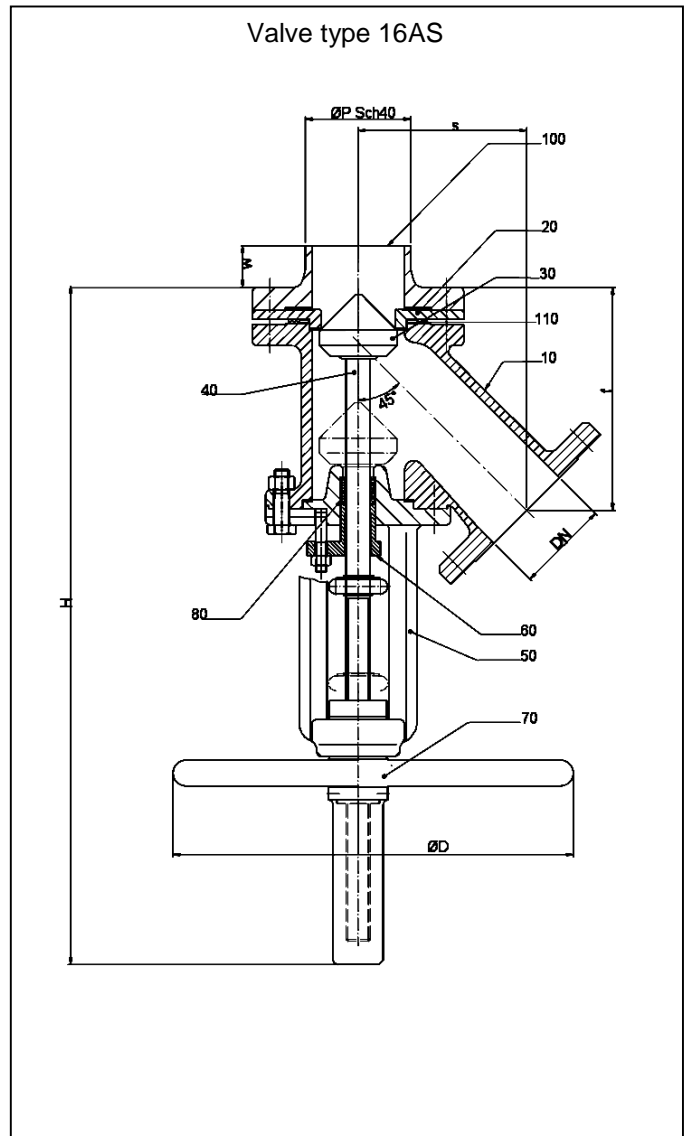
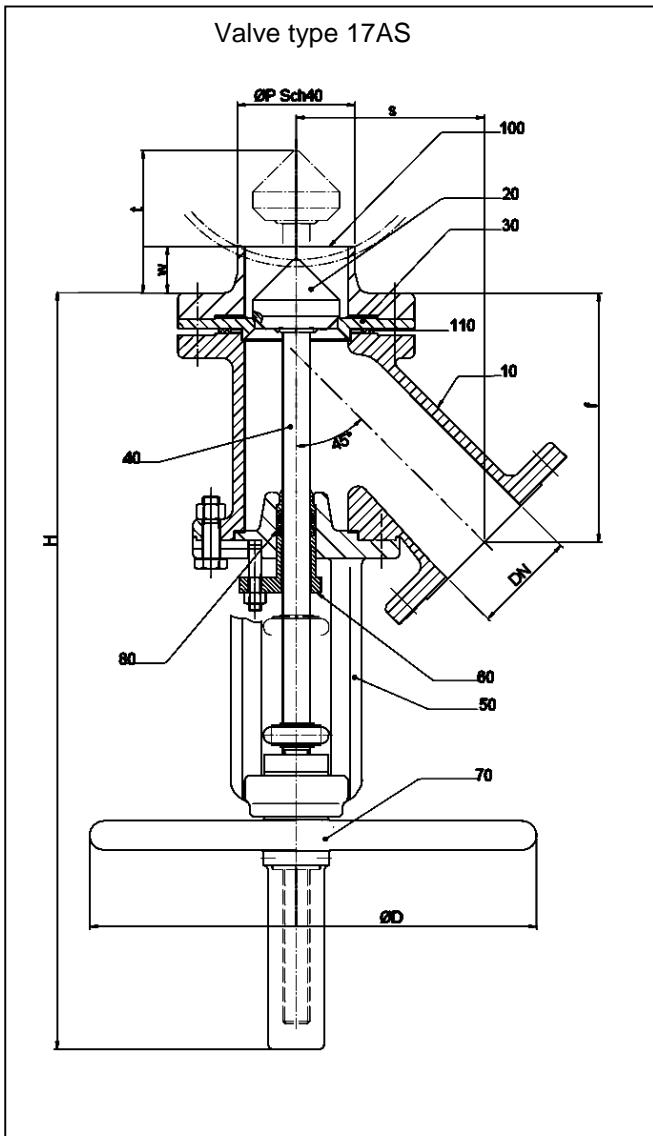
Position	Description
10	Body
20	Seat
30	Disc
40	Spindle
50	Yoke
60	Stuffing box
70	Handwheel/ Bevel gear box
100	Packing Ring
110	Gasket

Sizes	L	H	Ø D
2" with handwheel	230	460	160
3" with handwheel	310	550	200
4" with handwheel	350	580	200
6" with handwheel	480	780	255
8" with handwheel	600	980	305
8" with bevelgear	600	790	600
10" with bevelgear	730	1030	600
12" with bevelgear	850	1050	600
14" with bevelgear	980	1140	600
16" with bevelgear	1100	1270	600



# SchuF Valves for Alumina 16AS-19AS, 50AS

Tank bottom valve 16AS/17AS, ASME 150



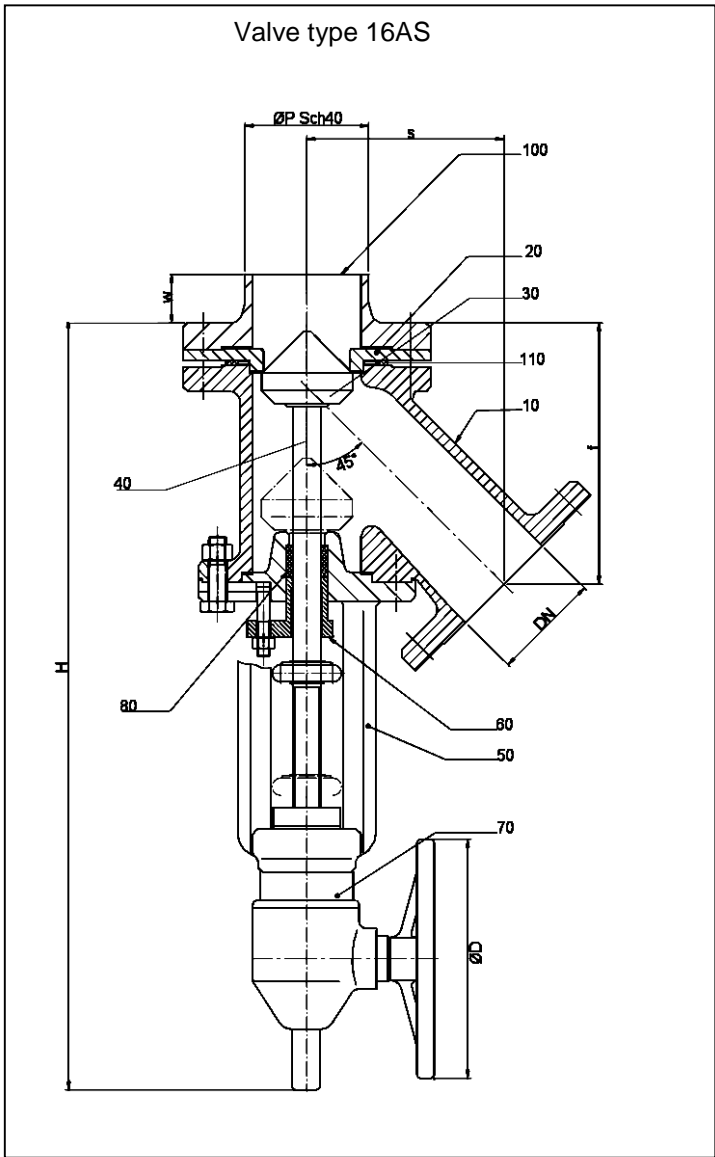
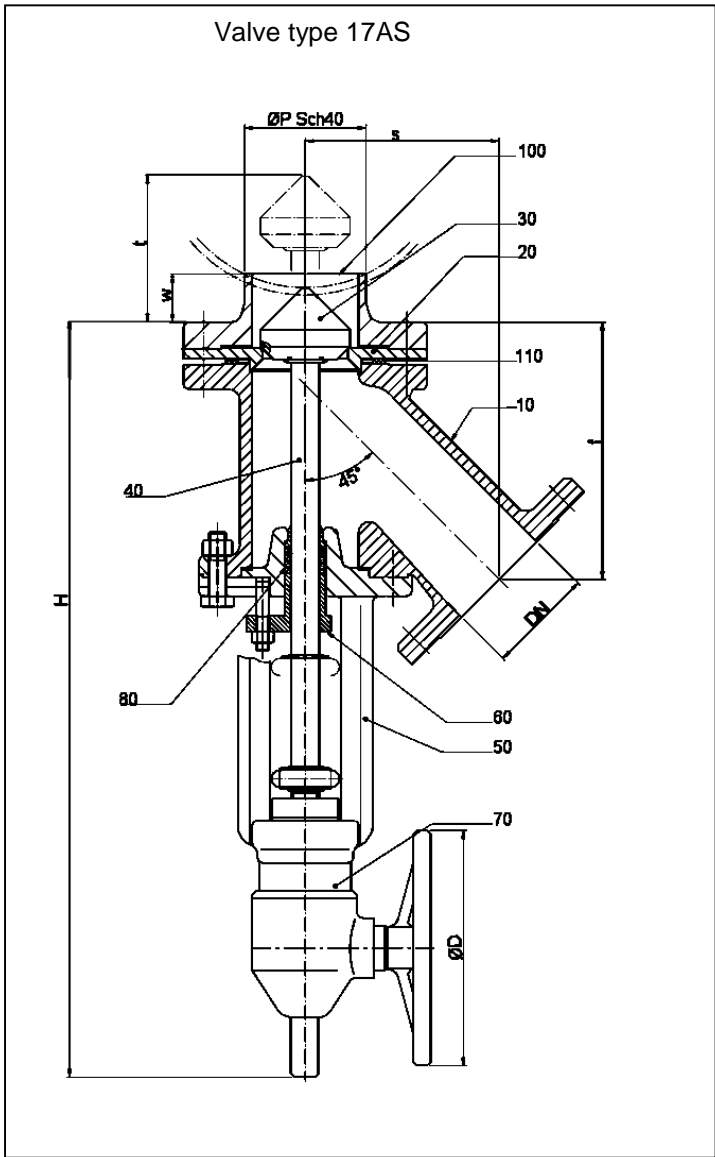
Position	Description
10	Body
20	Seat
30	Disc
40	Spindle
50	Yoke
60	Stuffing box
70	Handwheel
80	Packing Ring
100	Mating flange

Sizes	f	H	t	D	w	Ø P	s
2"	120	450	70	200	33	Ø60,3	110
3"	175	580	90	300	37	Ø88,9	152
4"	195	600	95	300	57	Ø114,3	165
6"	265	770	145	450	67	Ø168,3	225
8"	320	830	180	500	100	Ø219,1	280



# SchuF Valves for Alumina 16AS-19AS, 50AS

Tank bottom valve 16AS/17AS, ASME 150



Position	Description
10	Body
20	Seat
30	Disc
40	Spindle
50	Yoke
60	Stuffing box
70	Bevel gear box
80	Packing Ring
100	Mating flange

Sizes	f	H	t	D	w	Ø P	s
10"	415	1080	180	600	To be specified	Ø273	355
12"	480	1110	180	600		Ø323,8	420
14"	520	1180	200	600		Ø355,6	485
16"	580	1310	210	600		Ø406,4	530

