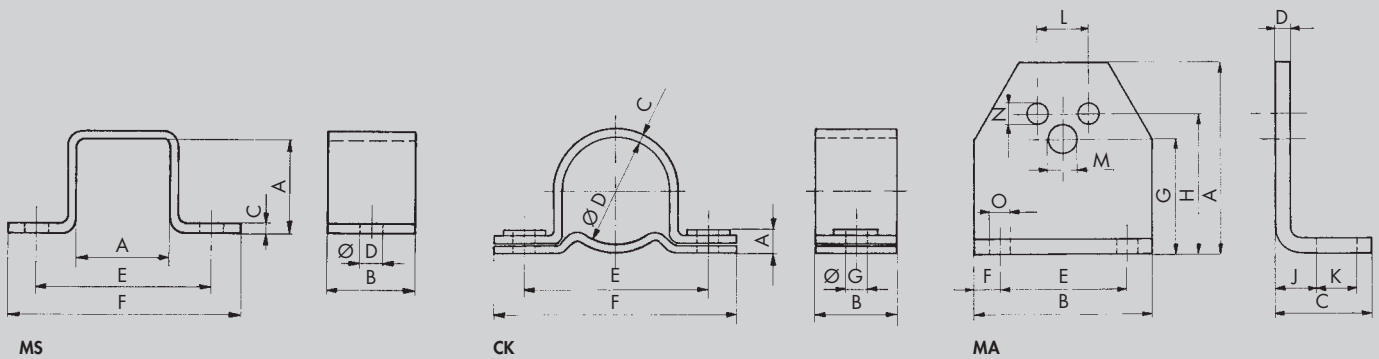


## Montagebride und Montagewinkel Mounting Clamp and Mounting Support



### Montagebride Typ MS / Mounting Clamp Type MS

Type	Art. Nr. Art. no	A	B	C	Ø D	E	F	Gewicht Weight in kg
MS 2	580 000 20	20	20	2	5.5	37	50	0.03
MS 3	580 000 30	27	25	2	6.5	50	65	0.04
MS 4	580 000 40	32	30	3	8.5	60	80	0.09
MS 5	580 000 50	45	35	3	10.5	80	105	0.16
MS 6	580 000 60	60	40	5	12.5	100	125	0.29
MS 7	580 000 70	72	45	5	12.5	115	145	0.45
MS 8	580 000 80	78	50	6	17	130	170	0.68

### Montagebride Typ CK / Mounting Clamp Type CK

Type	Art. Nr. Art. no	A	B	C	Ø D	E	F	Ø G	Gewicht Weight in kg
CK 5	580 000 55	10	40	3	62	92	125	10.5	0.30
CK 6	580 000 66	11	40	3	80	115	150	12.5	0.45

### Montagewinkel Typ MA / Mounting Support Type MA

Type	Art. Nr. Art. no	Passend zu Suitable for TE... LT...	A	B	C	D	E	F	G	H	J	K	L	M	N	O	Gewicht Weight in kg
MA 2-3	580 002 03	2 3	46	50	30	4	30	10	27	35	12	13	10	6.5	5.5	7	0.09
MA 3-4	580 003 04	3 4	58	60	32	6	40	10	34	44	14	13	12	8.5	6.5	7	0.19
MA 4-5	580 004 05	4 5	75	70	38	6	50	10	45	55	16	16	20	10.5	8.5	9.5	0.30
MA 5-6	580 005 06	5 6	98	90	52	8	65	12.5	75	75	21	22	25	12.5	10.5	11.5	0.70
MA 6-7	580 006 07	6 7	116	110	55	8	80	15	66	85	21	24	35	16.5	12.5	14	0.90
MA 7-8	580 007 08	7 8	140	140	66	10	100	20	80	110	26	30	40	20.5	12.5	18	1.80