



Truly Easy – Quality Ensured

easy

www.easyflexbyhapa.com

easyFLEX[®]
by Hapa

The Low-investment Printer It's truly easy & quality ensured

EASY
PROVEN
QUALITY

*UV Flexo printing
Highest print quality
Inks in all PMS colors available*

*No odor
Solvent free*

No daily cleaning required

Looking for an effortless way to improve blister pack production efficiency without compromising product quality? Considering the benefits of Just-in-Time flexibility and effectiveness? An EasyFlex on your blister pack line is the fastest and most economical out-of-the-box solution to Just-in-Time production.

The benefits of Just-in-Time inline printing

- Simplified production scheduling
- Increased flexibility of production
- Less blister machine downtime
- Highest packaging cost-effectiveness
- Leaner logistics
- No need for preprinted materials
- Quicker product turnaround time
- Minimized waiting time and transport costs
- Avoid buildup of unsold finished products, obsolete products
- Prevention of overproduction
- Reduction of capital tied up in stock
- Reduction of material costs
- Elimination of reconciliation and waste
- Diminished product defects

EasyFlex by Hapa

Compact and robust, EasyFlex has been developed out of proven Hapa UV Flexo technology. Easily installed on virtually every brand of packaging machine, EasyFlex uses format-free rotary printing technology compatible with both intermittent and continuous motion machines. Using laser-engraved Rubberflex or photopolymer print mats, EasyFlex imprints high-quality graphics and text on a variety of blister foil materials. Accuracy of results is ensured by the print mat pin location system and exchange of artwork or colors is made without the need for tools or cleandown, all of which contribute to fast changeovers and less downtime.



Enjoy the ease of use

- __ Effortless setting of print parameters with the touch panel
- __ Quick and trouble-free color change using the modular inking device
- __ Fast and secure pin mounting of print mat
- __ No need for tape to mount the mat
- __ Artwork and batch changes within minutes
- __ Standard integration, inline and top-mounted
- __ No printing experience necessary



Investment security with EasyFlex

- __ Developed and manufactured in Switzerland
- __ Worldwide presence
- __ Technology that's proven itself — 2000 systems in operation worldwide
- __ Established research and development, production, aftermarket and support services

Profit from pharma quality printing technology

- __ Format free: one machine, one cylinder
- __ No print drum change for index length change
- __ Exactly fixed print mat safeguards reproducibility
- __ Print quality unimpaired by line stoppages
- __ Registered print without need for blister machine print mark control

Ideal to print

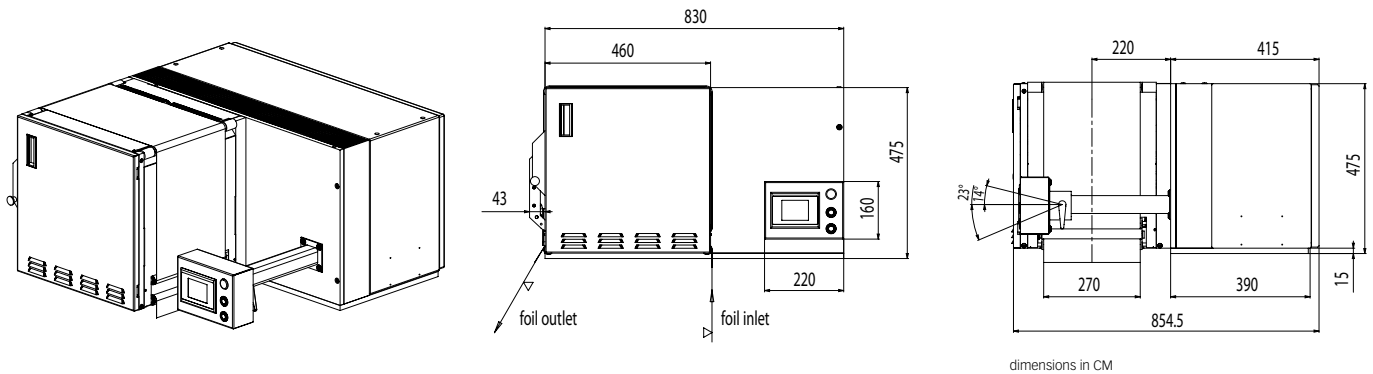
- On blank or preprinted foil
- Artwork, variable text or full graphics
- Unit dose presentation
- RSS codes
- Clinical trials
- Pocket-specific text
- Batch numbers
- Expiration dates
- All types of codes
- Registered print
- Random print

Optimized for

- Inline printing on small- & mid-sized blister packers

Highest print quality on

- Paperback foil
- Bare aluminum foil
- White flood coat foil
- Safety Pack Plus® (SPP) foil
- Tyvec®, Paper, PVC/PP and others ...



dimensions in CM

Performance		Electrical specification		Weight	Working mode
Foil width	max 270 mm	Voltage	400 V/50 Hz – 480 V/60 Hz	approximately 230 kg	Intermittent or continuous
Print area	max 260 mm x 180 mm	Fuse protection	20 A		
Print cycles	max 65 cycles/min	El. connection	3 phases and earth		
Foil speed	max 11.6 m/min	Peak capacity	4.5 kVA		

Technology — performance

Hapa's On Demand and Just-in-Time print production solutions are unmatched in the industry and backed by over 80 years of innovations for the healthcare and other industries. In operation around the world, our systems are robust and reliable. A global network of support and service teams ensures that our systems always perform at their best.

Hapa AG
 Chriesbaumstrasse 4
 8604 Volketswil
 Switzerland
 Phone +41 43 399 32 00
 Fax +41 43 399 32 01
 easyflex@hapa.ch
www.easyflexbyhapa.ch